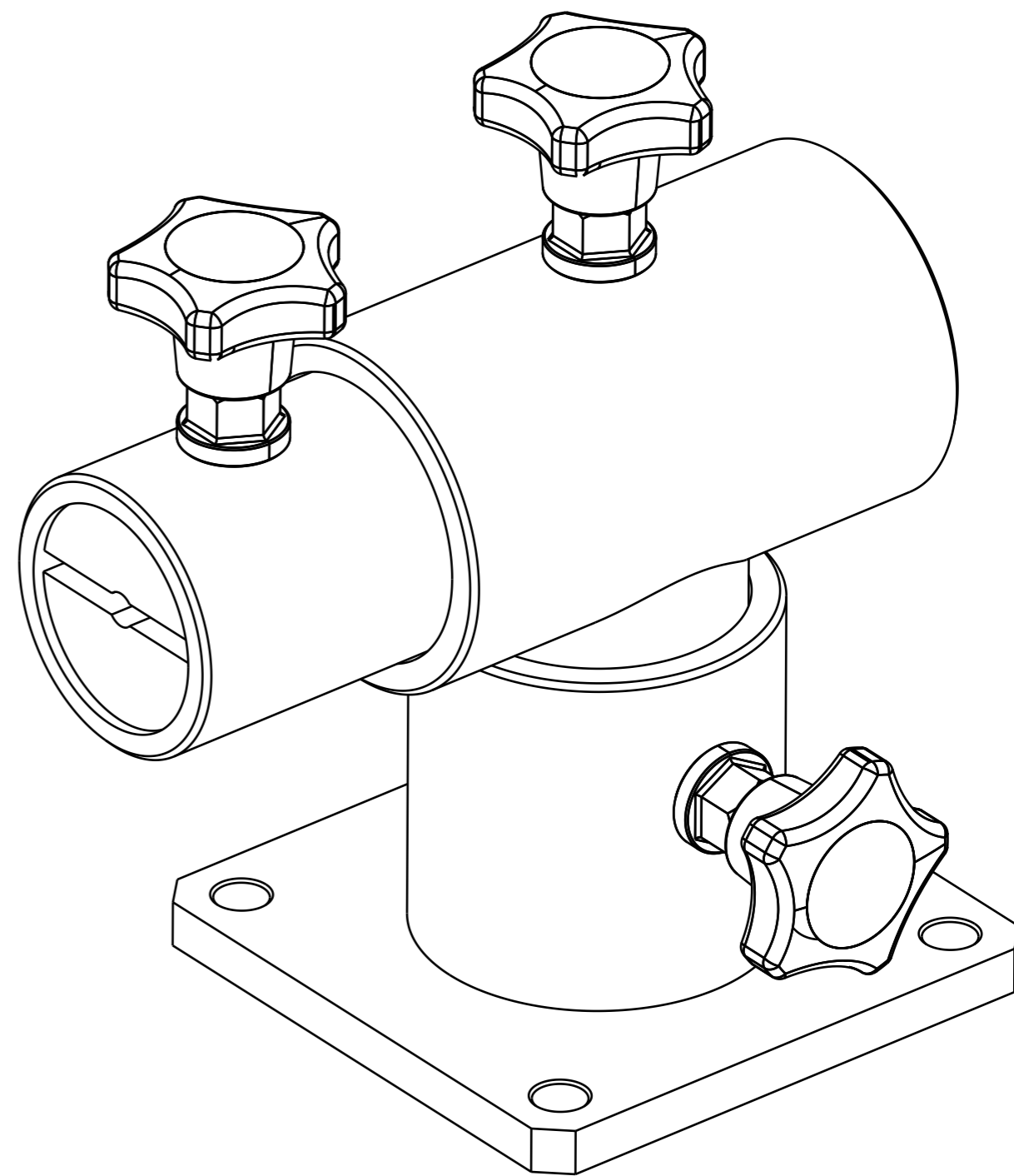
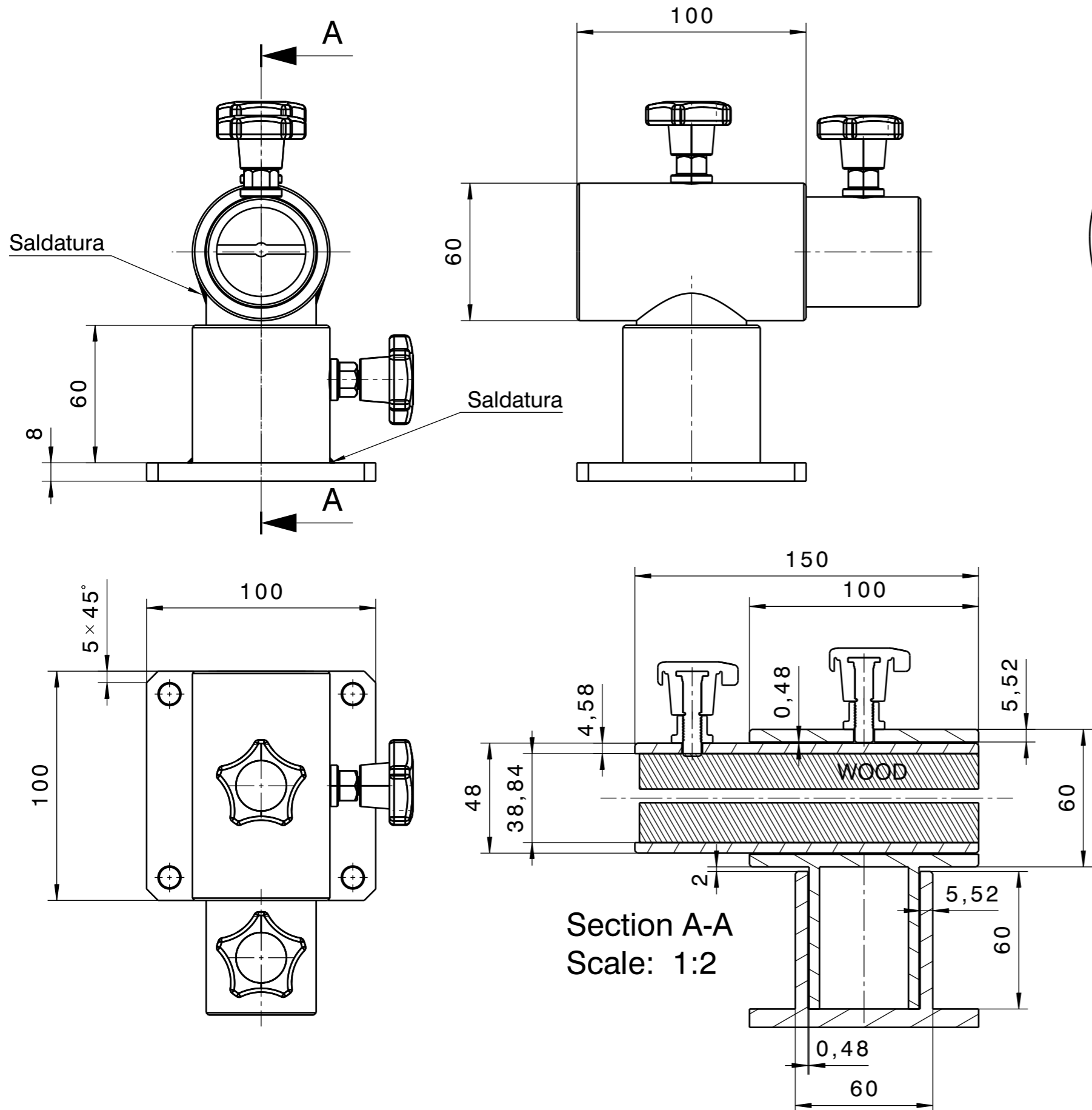


Knife Maker's Vise



PROJECT LIST			
Name	Dimension	Qt.	Price
Base	100 x 100 x 8 mm	1	
Pipe 1	60 x Φ 60 Sp.5,52	1	
Pipe 2	100 x Φ 60 Sp.5,52	1	
Pipe 3	150 x Φ 48 Sp.4,58	1	
Handle	M8	3	
Nut	M8	3	
Wood	Φ 30	1	

